

PSI SEALING PLUGS

PRESSURE TIGHT
UP TO 3 BAR

HORIZONTAL AND VERTICAL
MOUNTING POSITION

FIVE RUBBER QUALITIES FOR
DIFFERENT APPLICATIONS



www.adamuhendislik.net

PRODUCT DESCRIPTION

The PSI sealing plug is a sealing device consisting of two half shells. It is specially designed to seal cables and pipes passing through walls and ceilings. Due to the large variety of sizes and rubber qualities, you can use this sealing plug for almost any pipe or cable.

Installation is fast and simple and can be done without the use of special tools as the plug is just hammered into the annular space. The profiled design of the plug makes installation easy and ensures pressure tightness up to 3 bar - relevant test certificates are available. The sealing plugs are manufactured from high quality rubber and are highly resistant to abrasion. We can supply plugs with five different rubber qualities to ensure suitability for different industry sectors such as construction, marine, power and offshore. Extremely fire-resistant sealing plug material is also available.

Advantages

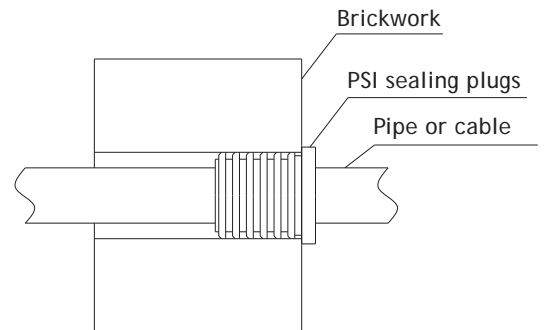
- Pressure tight up to 3 bar
- Easy installation
- Wide range of applications
- Noise-absorbing
- Fire-safe material available
- Vibration absorbing
- No electrical conduit
- High abrasion resistance
- Can be installed horizontally and vertically
- Various chemically resistant materials



APPLICATION RANGE

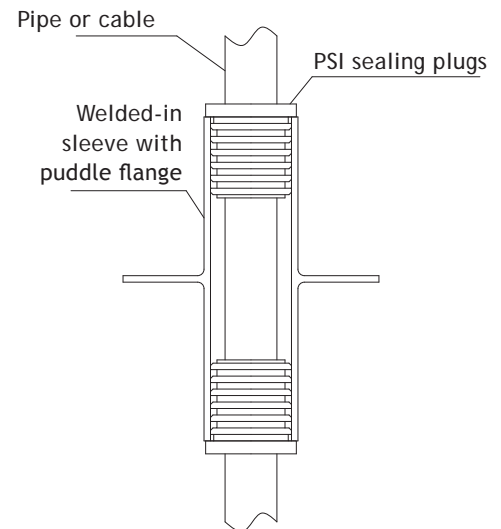
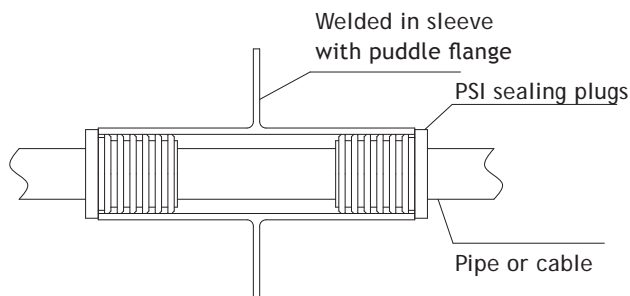
Use in a wall penetration

The plug can be used in a core drilled hole if the surface is in a good shape. The plug is hammered into the annular space from the outside of the wall. Pressure tightness of 3 bar can be achieved. The plug can also be used in wall sleeves.



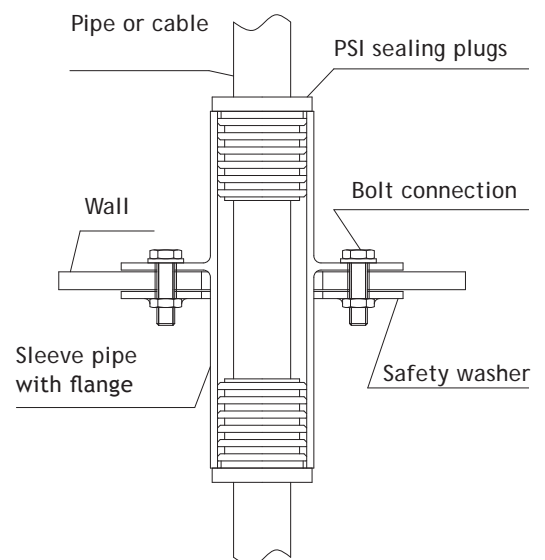
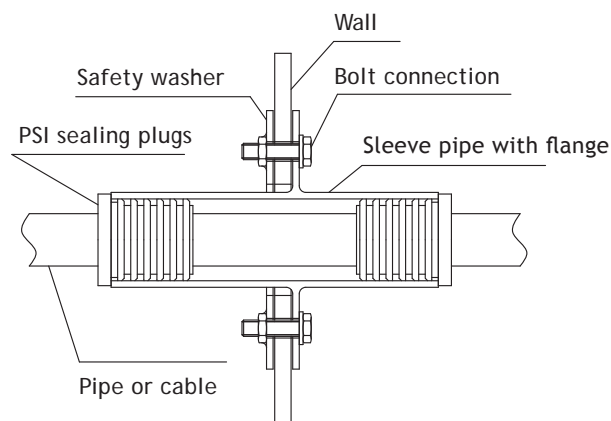
Use in ship building

The sealing plug is hammered into the welded liner sleeve in the wall or deck penetration from both sides. In these cases you will use the high fire retardant rubber FS. Fire resistant for 1 hour, tested and certified according to IMO Fire Test Procedures Code, Annex 1, Part 3. The welded sleeve is then covered with rock wool.



Use in yacht building






In the case of materials which cannot be welded, e.g. glass fiber reinforced plastics, the sleeve pipe is bolt-mounted to a wall or the deck with the flange and a thrust washer. The sealing plug can then be easily hammered in.



SELECTION OF TYPES AND RUBBER QUALITIES

Inner diameter in mm	Outer diameter in mm	Material
40	16	EPDM
43,6	12	EPDM
50	without hole	EPDM
50	15	EPDM
50	28	EPDM
50	32	EPDM
54,5	32	EPDM
60	32	EPDM
60	40	EPDM
70	40	EPDM
70	50	EPDM
80	30	EPDM
80	32	EPDM
80	32	NBR
80	40	EPDM
80	44	EPDM
94	32	EPDM
94	40	EPDM
94	50	EPDM
100	32	EPDM
100	40	EPDM
100	50	EPDM
100	54	EPDM
100	62	EPDM
102,3	40	EPDM
103,6	32	EPDM
103,6	40	EPDM
103,6	50	EPDM
125	74	EPDM
150	90	EPDM
150	110	EPDM
150	114	EPDM
200	160	EPDM

Rubber qualities

	Material	Color	Temperature range	Characteristics
	EPDM	black	-25 °C/+110 °C	Standard rubber for gas and water tight sealings (among others, for heating and water pipes etc.)
	Nitrile	blue	-25 °C/+110 °C	Resistant to oils and greases (among others for hydrocarbons)
	FS	red	-30 °C/+120 °C	Highly fire retardant rubber (among others, fire retardant, gas and water tight sealing of pipes)
	Silicon	brown	-60 °C/+200 °C	Resistant at high temperature differences (among others in cooling and steam vapour pipes, etc.)
	Vitone	green	-25 °C/+200 °C	Resistant to chemicals (among others, in laboratories etc.)

EN

INSTALLATION INSTRUCTION

1. Preparation of the wall opening

The wall opening (PVC sleeve, core drilled hole, steel sleeves....) must be cleaned inside. Please make sure that there is no dirt.

2. Greasing

Grease the inside of the wall opening and the outside and inside of the sealing plug with acid free Vaseline. This makes installation much easier and ensures a longer sealing life. You can get the Vaseline from PSI (150 ml).

3. Installation

Please make sure that the cable or pipe is laying straight and centred in the wall opening. Put the two half shells of the PSI Sealing Plug around the cable or pipe and push the sealing in the opening. Attention: both half shells must be correctly positioned on each other. The plug must be pushed in until the flange touches the wall. Don't push any further!

If installation is more difficult (for example with larger plugs) use a piece of wood and a hammer and carefully push in the sealing.

Please consider:

- Plug can be disassembled only from the backside
- Before installing coredrill, casing pipe dimensions has to be checked, tolerance O.D. max. +1mm
- Plug is not recompressable, Weight of the pipe has to be carried/bearred otherwise

